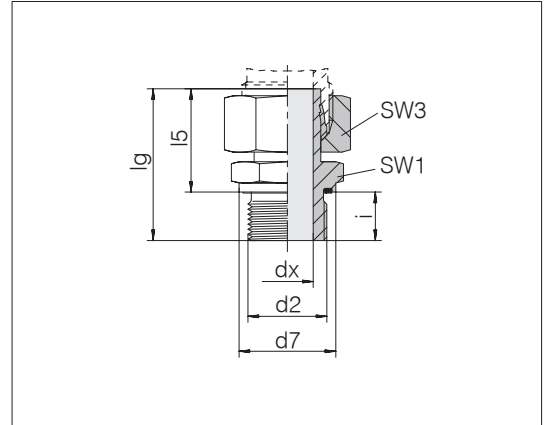


Swivel connectors

Male thread: BSPP thread, cylindrical
 Threaded stud: ISO 1179-2 Form E
 Sealing type: Profile sealing ring PEFLEX
 Sealing material: Standard NBR

Tube coupling: 24° in acc. with ISO 8434-1

Tube socket pre-assembled



Series	d2	Pressure	d7	dx	lg	l5	SW1	SW3	i	Nm -10 %	kg/100 ca.	Order-No.	Designation
Tube OD													
L 6	G 1/8 A	PN 315	13.9	3.5	32.5	24.5	14	14	8	20	2.3	0177802007	24-SWSDS-L6-G1/8E ¹⁾
L 6	G 1/4 A	PN 315	18.9	3.5	38	26	19	14	12	50	3.9	0177172007	24-SWSDS-L6-G1/4E
L 8	G 1/4 A	PN 315	18.9	4.5	41.5	29.5	19	17	12	50	4.6	0177812007	24-SWSDS-L8-G1/4E ¹⁾
L 8	G 3/8 A	PN 315	21.9	4.5	43	31	22	17	14	80	6.0	1177072007	24-SWSDS-L8-G3/8E
L 10	G 1/4 A	PN 315	18.9	6	39.5	27.5	19	19	12	50	5.0	0177822007	24-SWSDS-L10-G1/4E ¹⁾
L 10	G 3/8 A	PN 315	21.9	7	41	29	22	19	12	80	6.4	1177042007	24-SWSDS-L10-G3/8E
L 12	G 1/4 A	PN 315	18.9	6	45.5	33.5	19	22	12	50	7.0	1177032007	24-SWSDS-L12-G1/4E
L 12	G 3/8 A	PN 315	21.9	7	46	34	22	22	12	80	8.0	0177832007	24-SWSDS-L12-G3/8E ¹⁾
L 12	G 1/2 A	PN 315	26.9	7	48.5	34.5	27	22	14	100	10.1	1177012007	24-SWSDS-L12-G1/2E
L 15	G 3/8 A	PN 315	21.9	9	43.5	31.5	22	27	12	80	9.4	1177052007	24-SWSDS-L15-G3/8E
L 15	G 1/2 A	PN 315	26.9	11	46	32	27	27	14	100	11.7	0177842007	24-SWSDS-L15-G1/2E ¹⁾
L 18	G 1/2 A	PN 315	26.9	14	45.5	31.5	27	32	14	100	13.4	0177852007	24-SWSDS-L18-G1/2E ¹⁾
L 22	G 1/2 A	PN 160	26.9	14	46.5	32.5	27	36	14	100	15.4	0177742007	24-SWSDS-L22-G1/2E
L 22	G 3/4 A	PN 160	31.9	18	48.5	32.5	32	36	16	180	18.4	0177862007	24-SWSDS-L22-G3/4E ¹⁾
L 28	G 1 A	PN 160	39.9	22.5	53	35	41	41	18	230	26.8	0177872007	24-SWSDS-L28-G1E ¹⁾
L 35	G 1 1/4 A	PN 160	49.9	29	62.5	42.5	50	50	20	330	43.9	0177882007	24-SWSDS-L35-G11/4E ¹⁾
L 42	G 1 1/2 A	PN 160	54.9	35	68.5	46.5	55	60	22	500	62.3	0177892007	24-SWSDS-L42-G11/2E ¹⁾
S 6	G 1/4 A	PN 630	18.9	3.5	39	27	19	17	12	60	4.9	0177902007	24-SWSDS-S6-G1/4E ¹⁾
S 8	G 1/4 A	PN 630	18.9	4.5	41.5	29.5	19	19	12	60	5.8	0177912007	24-SWSDS-S8-G1/4E ¹⁾
S 10	G 1/4 A	PN 630	18.9	5	43.5	31.5	19	22	12	60	7.2	0177762007	24-SWSDS-S10-G1/4E
S 10	G 3/8 A	PN 630	21.9	6	44	32	22	22	12	90	8.7	0177922007	24-SWSDS-S10-G3/8E ¹⁾
S 12	G 3/8 A	PN 630	21.9	7	46	34	22	24	12	90	9.9	0177932007	24-SWSDS-S12-G3/8E ¹⁾
S 12	G 1/2 A	PN 630	26.9	7	48.5	34.5	27	24	14	150	12.8	0177792007	24-SWSDS-S12-G1/2E
S 14	G 1/2 A	PN 630	26.9	9	50.5	36.5	27	27	14	150	15.4	0177942007	24-SWSDS-S14-G1/2E ¹⁾
S 16	G 1/2 A	PN 400	26.9	11	51	37	27	30	14	150	16.2	0177952007	24-SWSDS-S16-G1/2E ¹⁾
S 16	G 3/4 A	PN 400	31.9	11	55	39	32	30	16	200	22.7	1177062007	24-SWSDS-S16-G3/4E
S 20	G 3/4 A	PN 400	31.9	15	59	43	32	36	16	200	25.5	0177962007	24-SWSDS-S20-G3/4E ¹⁾
S 25	G 1 A	PN 400	39.9	18	66	48	41	46	18	250	48.8	0177972007	24-SWSDS-S25-G1E ¹⁾
S 30	G 1 1/4 A	PN 400	49.9	22.5	71	51	50	50	20	500	66.7	0177982007	24-SWSDS-S30-G11/4E ¹⁾
S 38	G 1 1/2 A	PN 315	54.9	28.5	82	60	55	60	22	600	95.3	0177992007	24-SWSDS-S38-G11/2E ¹⁾

¹⁾ Standard size

Example for comp. :
 EVGE06LRED